

Is looking for a Partner based in EU

アクティブ・クラッチ

ACTIVE CLUTCH

Manual Transmission Vehicles Clutch Operation Assist Device

Made in Japan



Enjoy Manual Transmission Vehicles

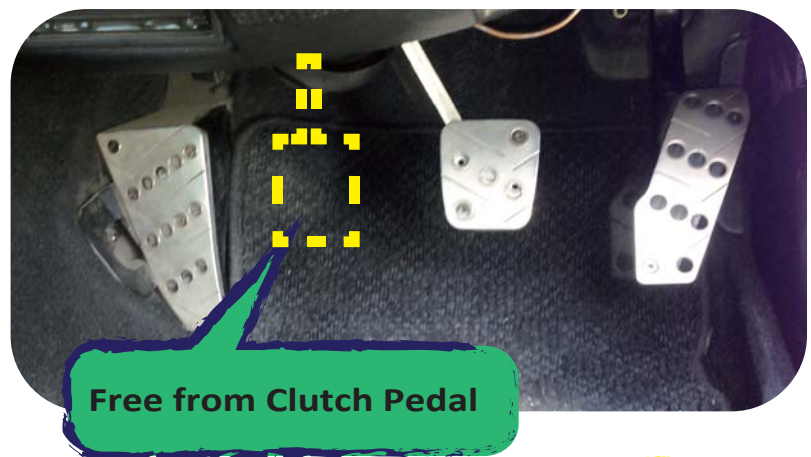
OSAMU FACTORY

What is Active Clutch?

It is a driving support device to control clutch operation by hand button instead of a foot pedal. This is the device to enjoy manual transmission for people who have disabilities in lower body.



“Let in” “Let out” the clutch only by a single button. Because the computer can control and adjust clutch riding properly, you don’ t have to worry about engine stall.



To take over the clutch operation

Active clutch will assist the clutch operation as follows.

- Partial clutch of adjustment of the starting function is linked to the accelerator operation
- ActiveClutch will soften the clutch shock during shifting
- Automatically,ActiveClutch will do a very slow speed in the clutch work.

(Like a creep of AT vehicles)

Pleasure The manual transmission

Active Clutch wasn’ t made to drive manual transmission vehicles easily like automatic transmission vehicles.

- Gears won` t be changed automatically.
- Smooth operation depends on the skill of the driver.

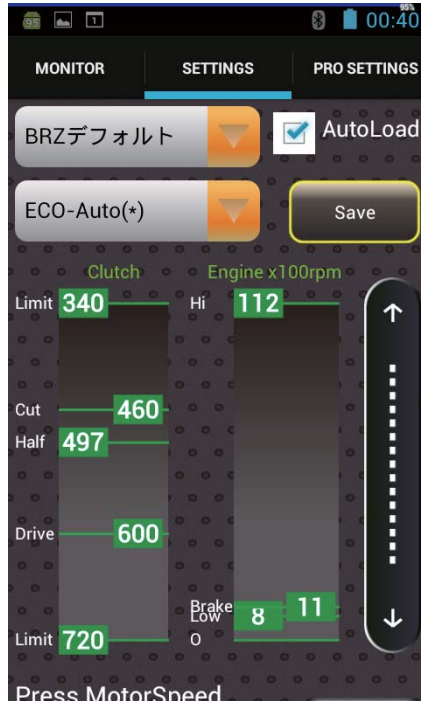


Active Clutch was designed with an emphasis on responsiveness and usability, customizability, not only you can drive cities, but also sports driving and circuits.

It can also be used in races and are acknowledged to the JAF as a driving assistance device.



(Realtime Monitor)



(Control Setting)

Active clutch allows you to custom the control of the clutch yourself.

I delivered in the setting for everyone.

As you become accustomed, to tune to match the skill of their operation.

Setting tool is only for Android

You can switch depending on the situation the two modes.

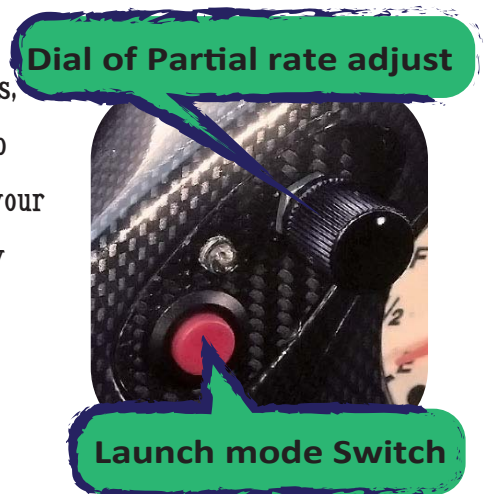
ECO	Town riding so can smooth operation mild mode
Racing	Sports driving as can aggressive driving

【Dial of Partial rate adjust】

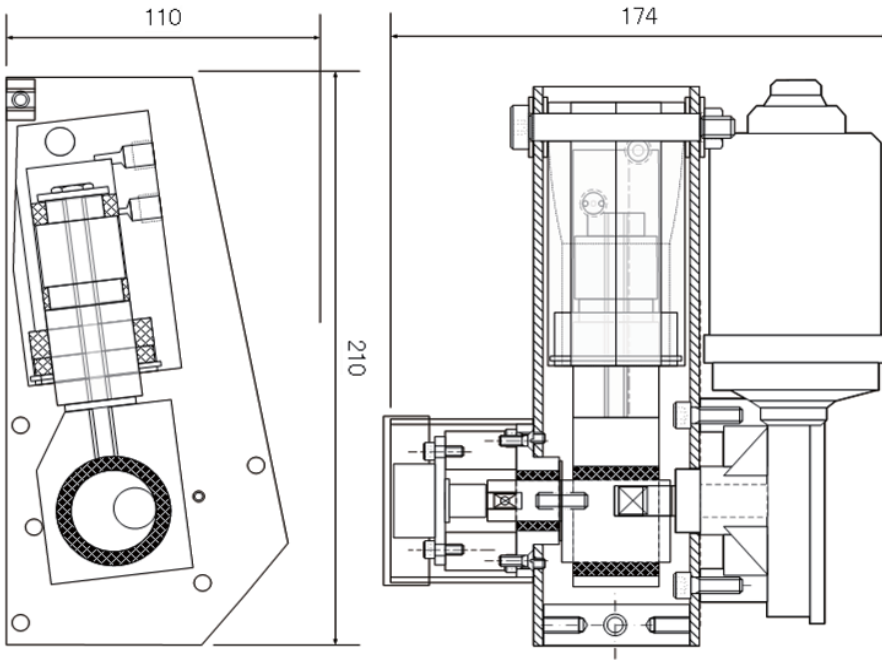
Higher rev speed when right after starting engine, or after sports drivings, you need to adjust the clutch riding timing. We installed the tuning dial so that you can adjust it as you prefer. Therefore, you don't have to take your vehicle to maintenance shops. You can adjust the clutch riding point easily with this dial whenever you like.

【Launch mode Switch】

It is originally made to change the Active Clutch mode to “pre-adjusted timing” when starting on the slopes. But because this button is totally adjustable, it is used for many purposes. It's all up to your idea!



Factors/Specifications



Motor Unit	
Width	210 mm
Depth	174 mm
Height	110 mm
Weight	3.2 kg
UseTemp	60 °C
Main Unit	
Width	150 mm
Depth	125 mm
Height	50 mm
Weight	350 g
UseTemp	70 °C

Power Consumption	MaxPulse	80 A	I/O	Power	Buttery(direct connect)
	Rating	15 A		Input	Accessories
	Stanby	15 mA		Input	Engine RPM
Power Supply	Max	15 v		Input	Vehicle Speed Signal
	Min	11 v		Input	Brake ON
FullStroke Time(Oneway)	Free Load	0.4 sec		New Input	Accele ON
	Rating Load	0.6 sec		Optional	Neutral position
Package Model	Hydraulic type			Optional	Clutch Pedal ON
				Switch	Clutch button
				Switch	Launch mode Switch
Option Package			Switch	Dial of Partial rate adjust	
			Wire type		Cam(S)
					Cam(L)
					Cam(LL)
Option Package	Comm I/F	Setting tool Application connect to Main Unit			
	Ignition Coil I/F	Engine RPM sense from Ignition coil			
	Paddle I/F	Using for Paddle Shift			
	Hard Load	Overheating protection			

Price : Pending (Prices will vary according to the model and mounting method.)



【Contact Information】

OSAMU-FACTORY Co.ltd.(オサムファクトリー)

〒610-0313 nishiaramoto 29-1,miyamaki, kyoutanabe

Phone : +81-0774-34-1800 FAX : +81-0774-34-1801

MAIL: overseas@osamu-factory.jp